



NYPUNYAM

SKILL FIESTA 2016



KASE

KERALA ACADEMY FOR SKILLS EXCELLENCE
Skill Development Mission of Government of Kerala



NYPUNYAM

SKILLS FOR TOMORROW

February 5-7 | **2016**, Thiruvananthapuram, Kerala

CARPENTRY

SKILL FIESTA - 2016



NYPUNYAM
NATIONAL YOUTH PROMOTION

SKILL FIESTA 2016



Test Project Format – State Level

Trade: CARPENTRY

Duration of the Test: **8 Hours**

Project Brief :

The task is to make a table nest out of teak wood pieces in 8 hours.
The project consists of some complex joints and fitting.

Final Outcome expected from the candidate:

The candidates are expected to make the test project on time with the accurate dimensions and finishing as specified in test project.

DESCRIPTION OF THE PROJECT / TASKS

Candidates have to cut the wood pieces in proper shape and size according to need and then make the table nest as per the test project.

MATERIALS

- Teak wood pieces
- Fevicol- 100gm
- Wooden peg
- Hard board (layout board) - 3mm thickness, 1000 x 400mm
- Sand paper grade 120,180 - 2 each



NYPUNYAM
NATIONAL YOUTH PROMOTION

SKILL FIESTA 2016



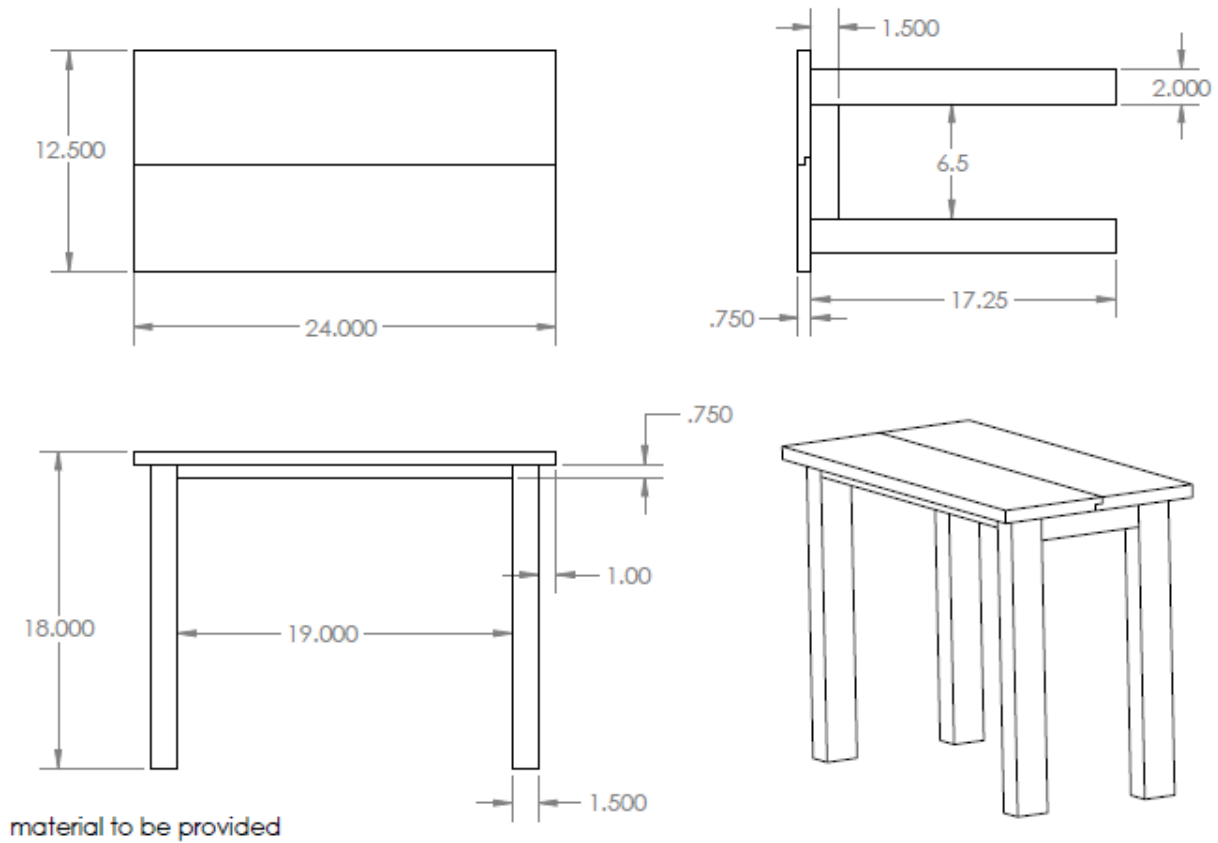
KASE
KERALA ACADEMY FOR SKILLS EXCELLENCE

Skill Development Mission of Government of Kerala

DIAGRAM 1

(Table Nest) Time : 8 Hrs

Module 1 Time : 4 Hrs



ITEM NO.	PART NUMBER	DESCRIPTION	QTY.
1	table top	25*8*0.75	2
2	leg	18*2*1.5	4
3	cross member	8*1.5*1	2
4	front member	21*0.75*0.75	2



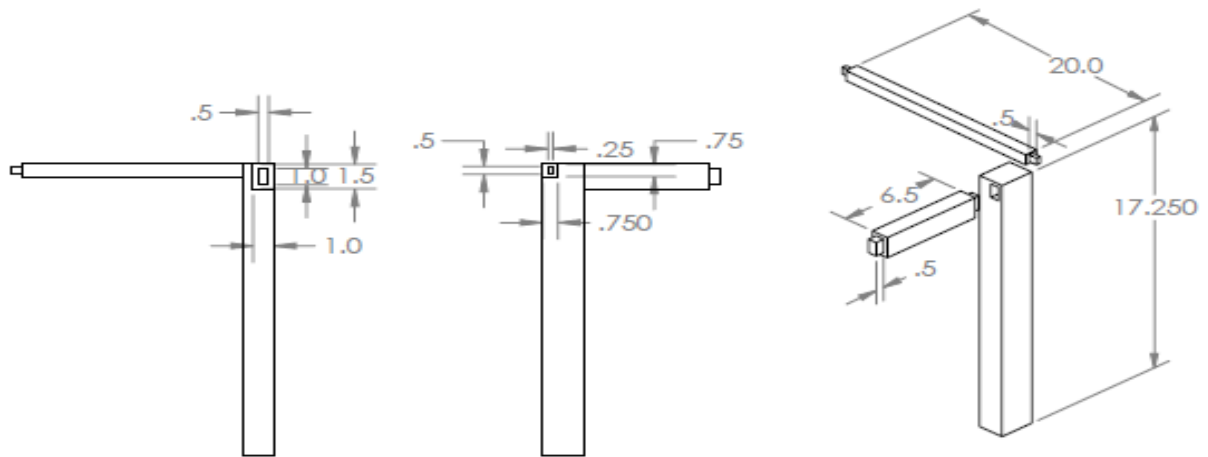
NYPUNYAM
NATIONAL YOUTH PROMOTION

SKILL FIESTA 2016

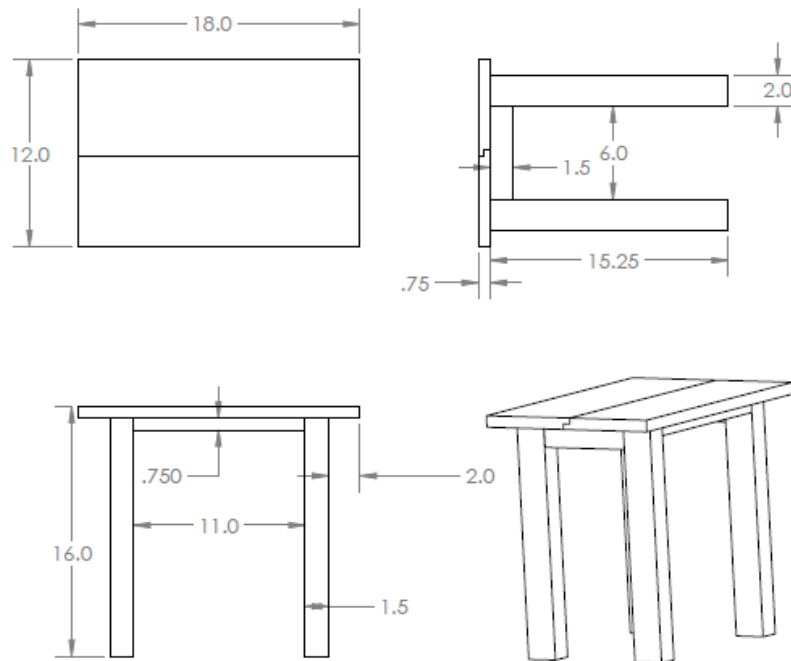


KASE
KERALA ACADEMY FOR SKILLS EXCELLENCE

Skill Development Mission of Government of Kerala



Module 2 Time : 2 Hrs



materials to be provided

ITEM NO.	PART NUMBER	DESCRIPTION	QTY.
1	middle table top	19*7*0.75	2
2	middle table leg	16*2*1.5	4
3	middle table cross member	9*1.5*1	2
4	middle table front member	13*0.75*0.75	2



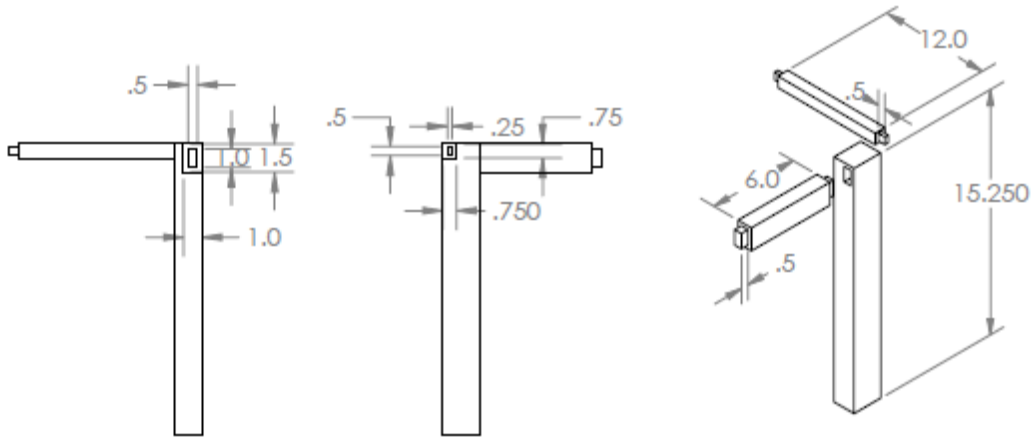
NYPUNYAM
NATIONAL YOUTH PROMOTION

SKILL FIESTA 2016



KASE
KERALA ACADEMY FOR SKILLS EXCELLENCE

Skill Development Mission of Government of Kerala



Module 3 Time : 2 Hrs



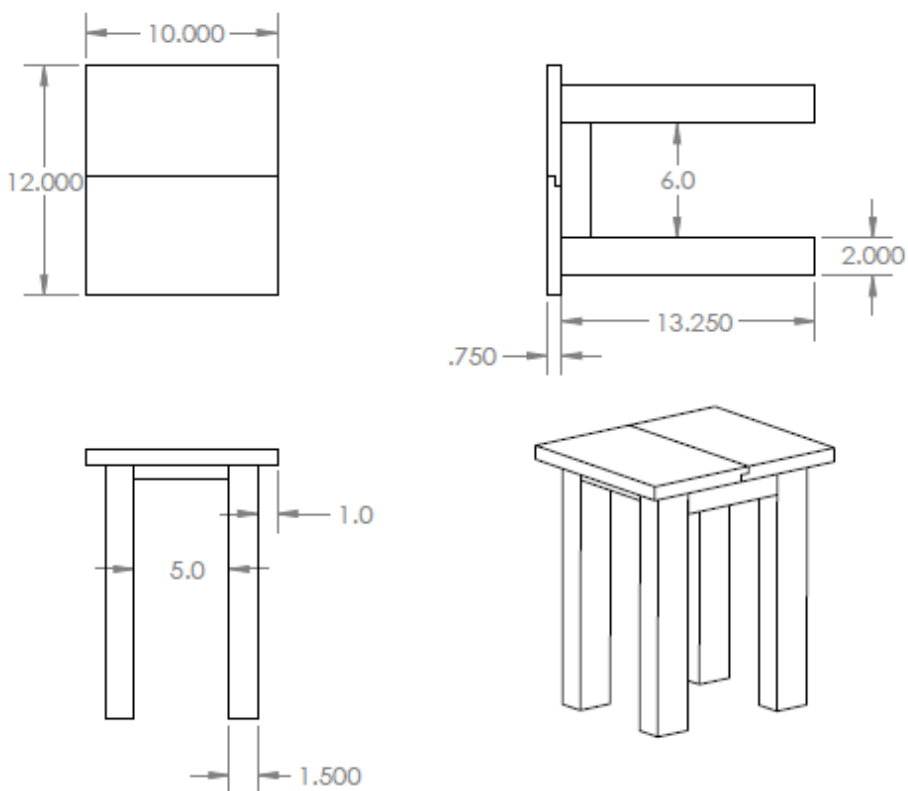
NYPUNYAM
NATIONAL YOUTH PROMOTION

SKILL FIESTA 2016

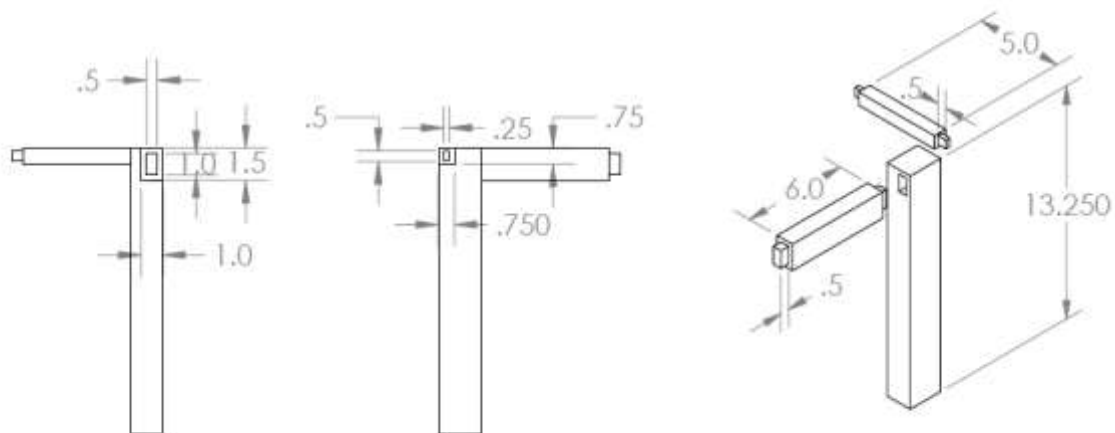


KASE
KERALA ACADEMY FOR SKILLS EXCELLENCE

Skill Development Mission of Government of Kerala



ITEM NO.	PART NUMBER	DESCRIPTION	QTY.
1	bottom table top	11*7*0.75	2
2	bottom table leg	14*2*1.5	4
3	bottom table cross member	8*1.5*1	2
4	bottom table front member	7*0.75*0.75	2



All dimensions are in inches



NYPUNYAM
NATIONAL YOUTH PROMOTION

SKILL FIESTA 2016



KASE
KERALA ACADEMY FOR SKILLS EXCELLENCE

Skill Development Mission of Government of Kerala





SKILL FIESTA 2016

REQUIREMENTS



SL NO	TOOLS	SPECIFICATION	QUANTITY PER CANDIDATE
1	PENCIL	B GRADE	1
2	SCRIBER	STEEL SCRIBER 150 MM	1
3	MARKING GAUGE	WOODEN TYPE (GENERAL PURPOSE)	1
4	TRY SQUARE	12 INCH BLADE	1
5	METAL JACK PLANE	STOCK LENGTH 300MM, 50 MM CUTTER	1
6	TENON SAW	300MM BLADE LENGTH, CLOSED HANDLE TYPE	1
7	FRIMER CHISEL	WIDTH OF BLADE - 12,15,20 ,25, 35,50mm	1 EACH
8	STEEL TAPE	3 MTR LONG	1
9	MALLET	GENERAL PURPOSE(WOODEN)	1
10	CLAW HAMMER MEDIUM SIZE	500 GMS	1
11	MORTISE CHISEL	6, 8 MM	1 EACH
12	MORTISE GAUGE	WOODEN TYPE (GENERAL PURPOSE)	1
13	WORK BENCH WITH CARPENTER'S VICE	JAW WIDTH 6 INCH	1
14	BEVEL SQUARE	150 MM BLADE	1
15	G CLAMP	300 MM	1
16	BENCH STOP	FITTED IN THE WORK BENCH	
17	IRON SMOOTHING PLANE	250 MM, 25 MM CUTTING WIDTH	1
18	HAND SAW	450 MM BLADE LENGTH	1
19	PARING CHISEL	8 ,10,25,35 MM SIZE	1 EACH
20	OIL STONE	CARBORUNDUM UNIVERSAL, 200X50X25MM	1
21	SASH CLAMP	4 FEET LENGTH	1
22	PROTABLE DRILLING MACHINE	MAX CAPACITY 12 MM	1
23	HAND PLANER MACHINE	WITH STANDARD BLADE WIDTH	1
24	DRILL BIT	4,6 MM DIA	1 EACH
25	SCREW DRIVER	150 MM LENGTH FLAT TYPE	1
26	STEEL RULE	300mm, 1m long	1 EACH



TECHNICAL DETAILS :

The individual shall be able to:

- Accurately interpret views and projections; orthographic, auxiliary and isometric projections, 3D views and sectional details
- Determine from drawings how parts intersect and are joined together
- Identify drawing errors or items that require clarification
- Determine and check quantities of materials required to build specified projects

INSTRUCTIONS TO THE COMPETITOR:

- Keep the workshop tidy
- Treat chemical waste with care
- Consider fire risk
- Observe electrical safety
- At the end of the day, the space allotted should be clean
- Candidates are to appear in formal working dresses
- Candidates will conduct themselves in a graceful and dignified manner through the entire duration of competition
- Any (individual or collective) attempt to disturb/ intimidate/obstruct another candidate will lead to dismissal/ removal from competition
- No communication/recording devices are allowed inside the arena
- No communication with outside world during competition hours



MARKING SCHEME (OUT OF 100)

- A. **OBJECTIVE MARKS: 80**
- B. **SUBJECTIVE MARKS: 20**

	Criteria	Mark
A	Interior Joints	10.00
B	Dimensions	40.00
C	Exterior Joints	25.00
D	Neatness of Finish, Cleanliness	10.00
E	Deductions	05.00
F	Completion on Time	10.00



NYPUNYAM
NATIONAL YOUTH PROMOTION

SKILL FIESTA 2016



KASE
KERALA ACADEMY FOR SKILLS EXCELLENCE

Skill Development Mission of Government of Kerala