

# **SKILL FIESTA 2016**

## **CARPENTER**

### **INSTITUTION WISE QUESTION PAPER** **MORTISE AND TENON JOINT**

#### **Requirements**

SL NO	TOOLS	SPECIFICATION	QUANTITY PER CANDIDATE
1	PENCIL	B GRADE	1
2	SCRIBER	STEEL SCRIBER 150 MM	1
3	MARKING GAUGE	WOODEN TYPE (GENERAL PURPOSE)	1
4	TRY SQUARE	12 INCH BLADE	1
5	METAL JACK PLANE	STOCK LENGTH 350MM, 50 MM CUTTER	1
6	TENON SAW	300MM BLADE LENGTH, CLOSED HANDLE TYPE	1
7	FRIMER CHISEL	WIDTH OF BLADE - 20 ,25, 35mm	1 EACH
8	STEEL TAPE	3 MTR LONG	1
9	MALLET	GENERAL PURPOSE( WOODEN)	1
10	CLAW HAMMER MEDIUM SIZE	500 GMS	1
11	MORTISE CHISEL 6MM	6, 8 , 10 MM	1 EACH
12	MORTISE GAUGE	WOODEN TYPE (GENERAL PURPOSE)	1
13	WORK BENCH WITH CARPENTER'S VICE	JAW WIDTH 6 INCH	1
14	MITER SQUARE	150 MM BLADE	1
15	G CLAMP	300 MM	1
16	BENCH HOOK	FITTED IN THE WORK BENCH	
17	IRON SMOOTHING PLANE	300 MM, 25 MM CUTTING WIDTH	1
18	HAND SAW	450 MM BLADE LENGTH	1
19	PARING CHISEL	8 ,10 MM SIZE	1 EACH
20	OIL STONE	CARBORUNDUM UNIVERSAL, 200X50X25MM	1

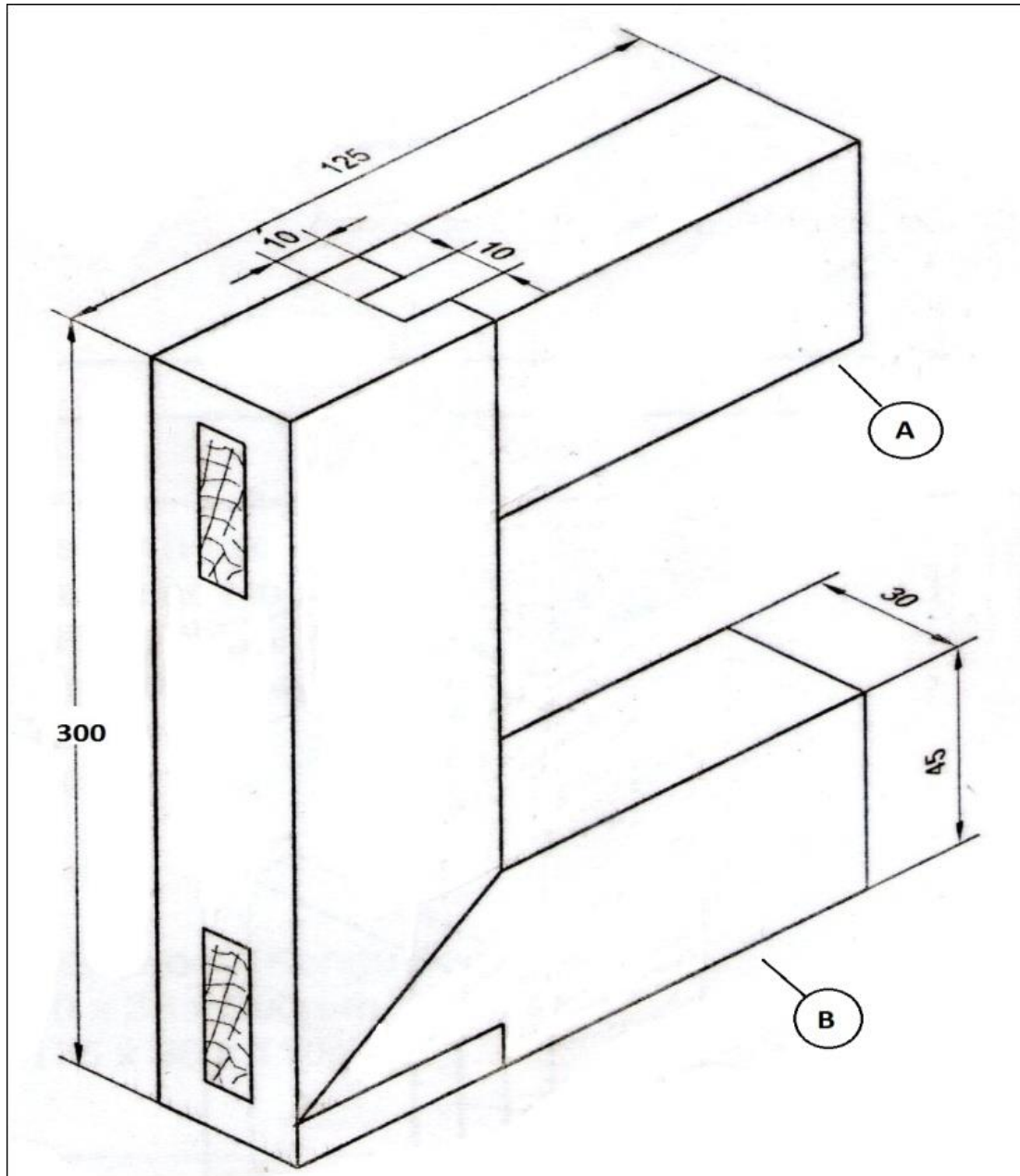
#### **Materials**

1. A hard wood (Teak wood) piece of size 600x50x40 mm
2. Sand paper grade 80,100 --- 1 each

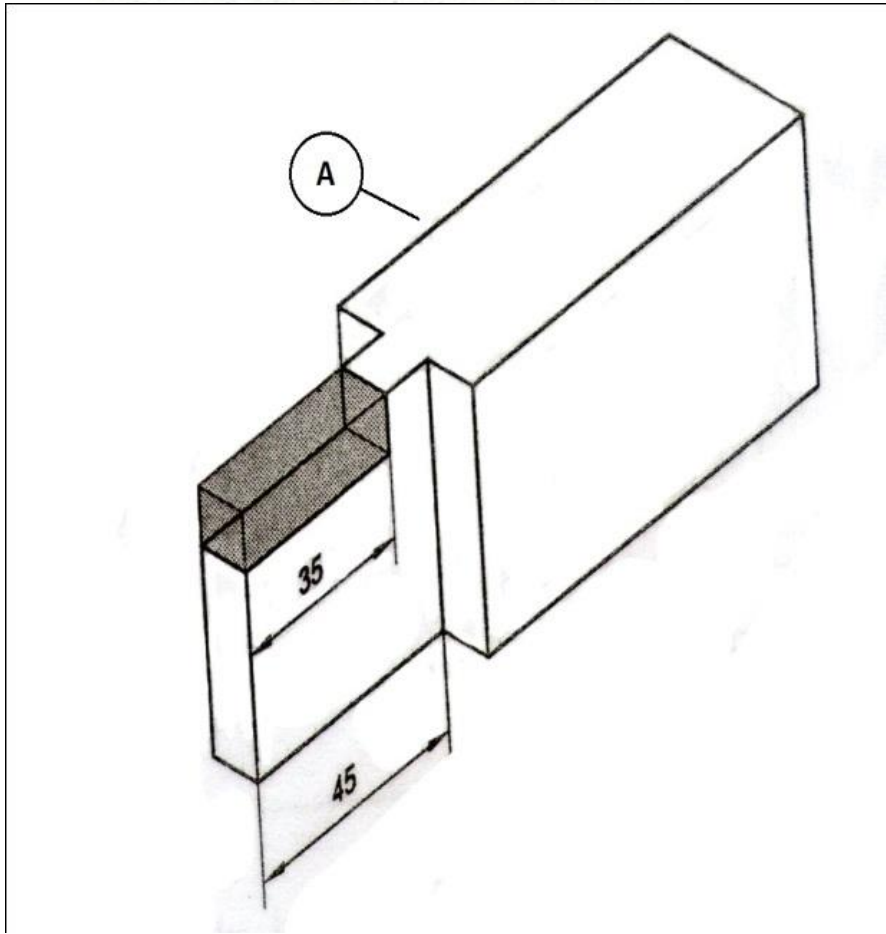
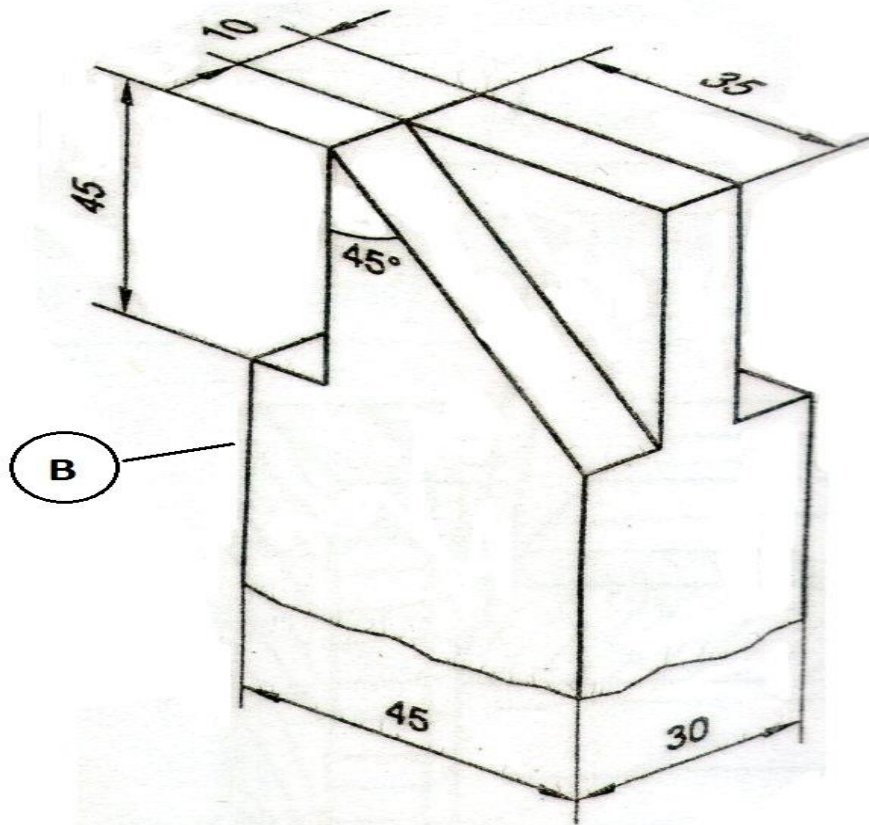
Time: 6 Hrs

**MORTISE AND TENON JOINT**

- 1) Assemble the TENON in the MORTISES by gently tapping it with mallet and finish the job as per drawing.



All dimensions are in MM  
Accuracy :  $\pm 1\text{mm}$



All dimensions are in MM  
Accuracy :  $\pm 1\text{mm}$