



NYPUNYAM
SKILLS FOR TOMORROW

SKILL FIESTA 2016



KASE

KERALA ACADEMY FOR SKILLS EXCELLENCE

Skill Development Mission of Government of Kerala



NYPUNYAM

SKILLS FOR TOMORROW

February 5-7 | **2016**, Thiruvananthapuram, Kerala

ZONAL CHAMPIONSHIP 4-11 January 2016



NYPUNYAM
SKILLS FOR TOMORROW

SKILL FIESTA 2016



KASE

KERALA ACADEMY FOR SKILLS EXCELLENCE

Skill Development Mission of Government of Kerala

Trade : Carpentry

Submitted by : Mr.Suresh kumar R
Members : K.P renjith kumar, Paul k.G , K.G Ramesan,
 Vijayan.G, Shajimon VG, Moossa kutly.P ,Sunil KV,.
Zonal Location :trivandrum, cochin ,calicut
Validated by : Siddharth Arora

Time duration of the test: 6Hrs



NYPUNYAM
SKILLS FOR TOMORROW

SKILL FIESTA 2016



KASE

KERALA ACADEMY FOR SKILLS EXCELLENCE

Skill Development Mission of Government of Kerala

TEST PROJECT DOCUMENTATION

BRIEF ABOUT THE PROJECT

Project Brief :

The task is to make a window shutter out of teak wood pieces in 6 hours.
The project consist of some complex joints and fitting.

Final Outcome expected from the candidate:

The candidates are expected to make the test project on time with the accurate dimensions and finishing as specified in test project.

DESCRIPTION OF PROJECT / TASKS

candidates have to cut the wood pieces in proper shape and size according to need and then make the complicated mortise and tenon joint.

MATERIALS

- Teak wood pieces of size
350x60x40mm - 4 nos
- Fevico l- 100gm
- Wooden peg - 8 nos
- Sand paper grade 120,180---2 each

DIAGRAM 1

WINDOW SHUTTER (MODEL)Time : 6 Hrs



NYPUNYAM
SKILLS FOR TOMORROW

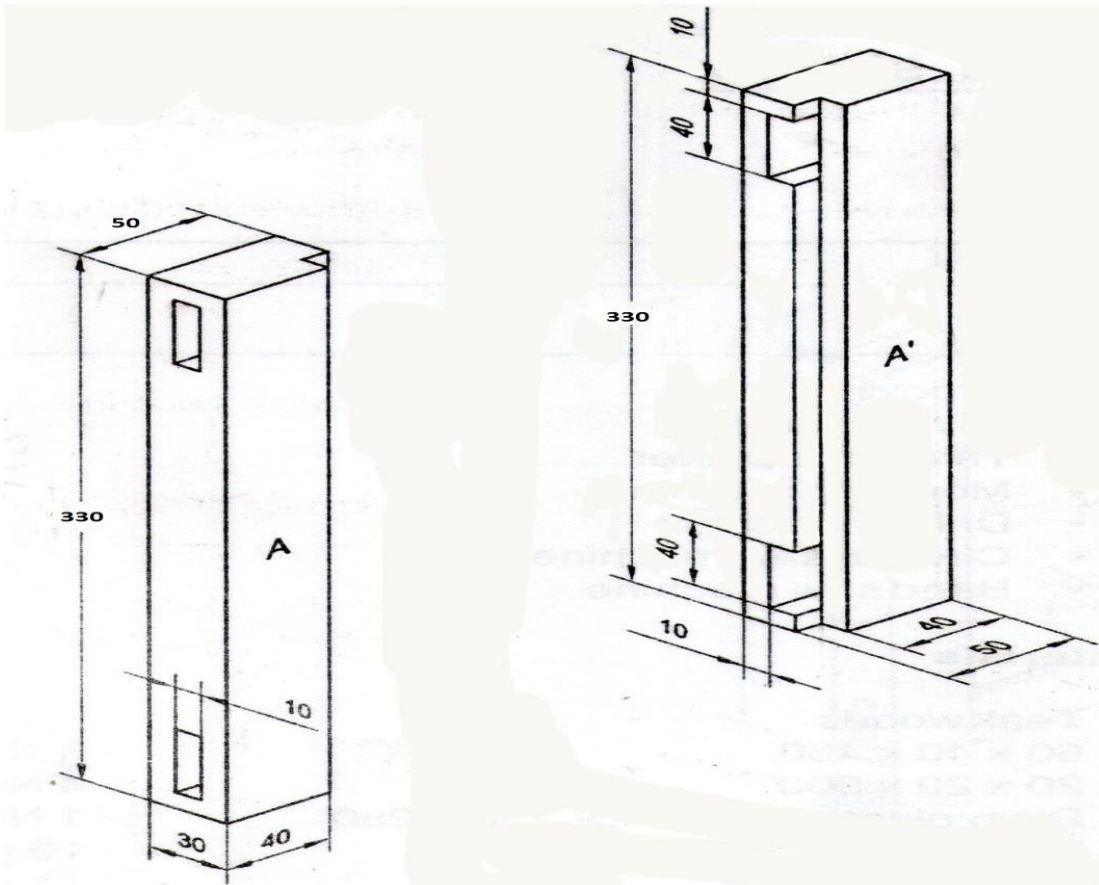
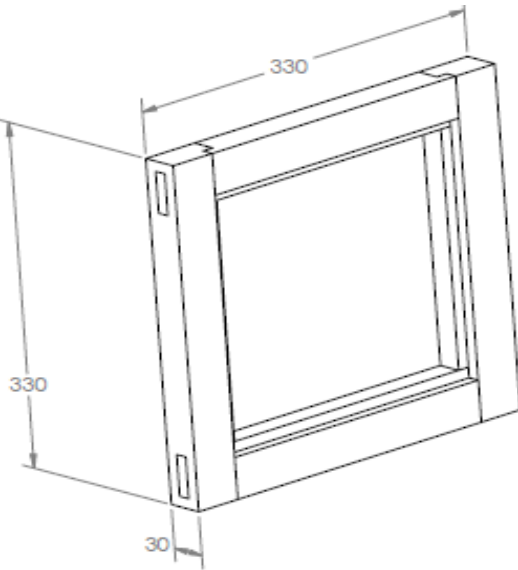
SKILL FIESTA 2016



KASE

KERALA ACADEMY FOR SKILLS EXCELLENCE

Skill Development Mission of Government of Kerala





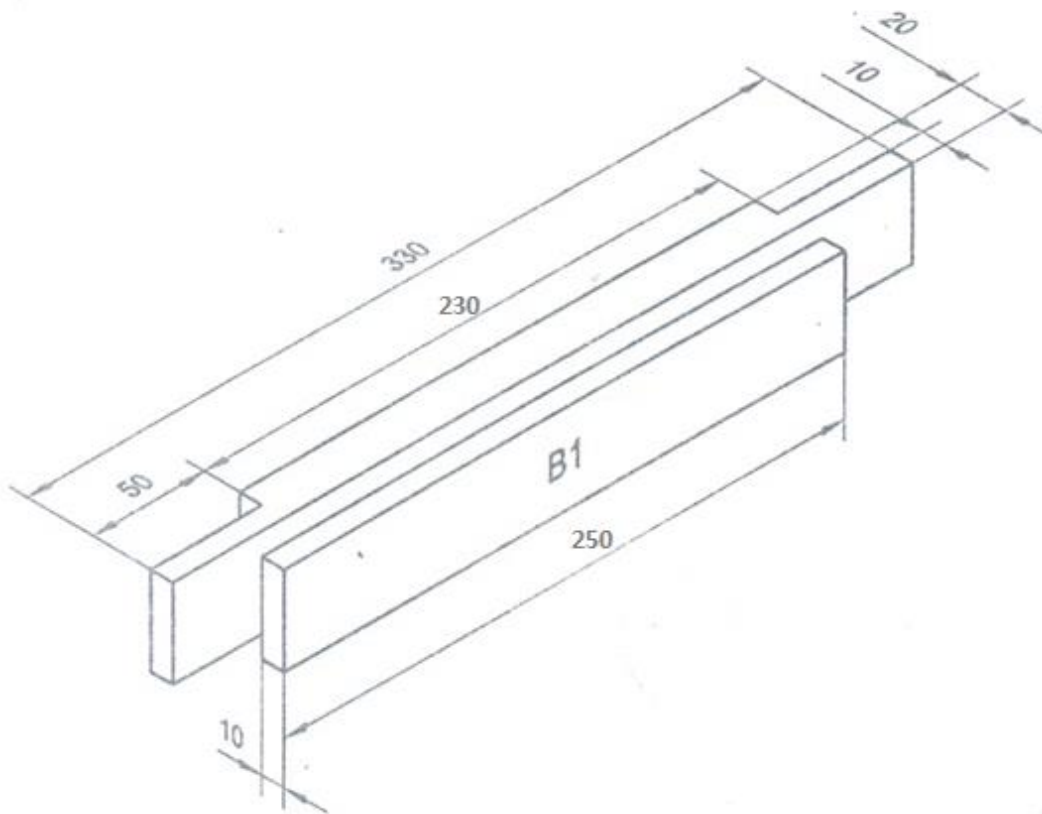
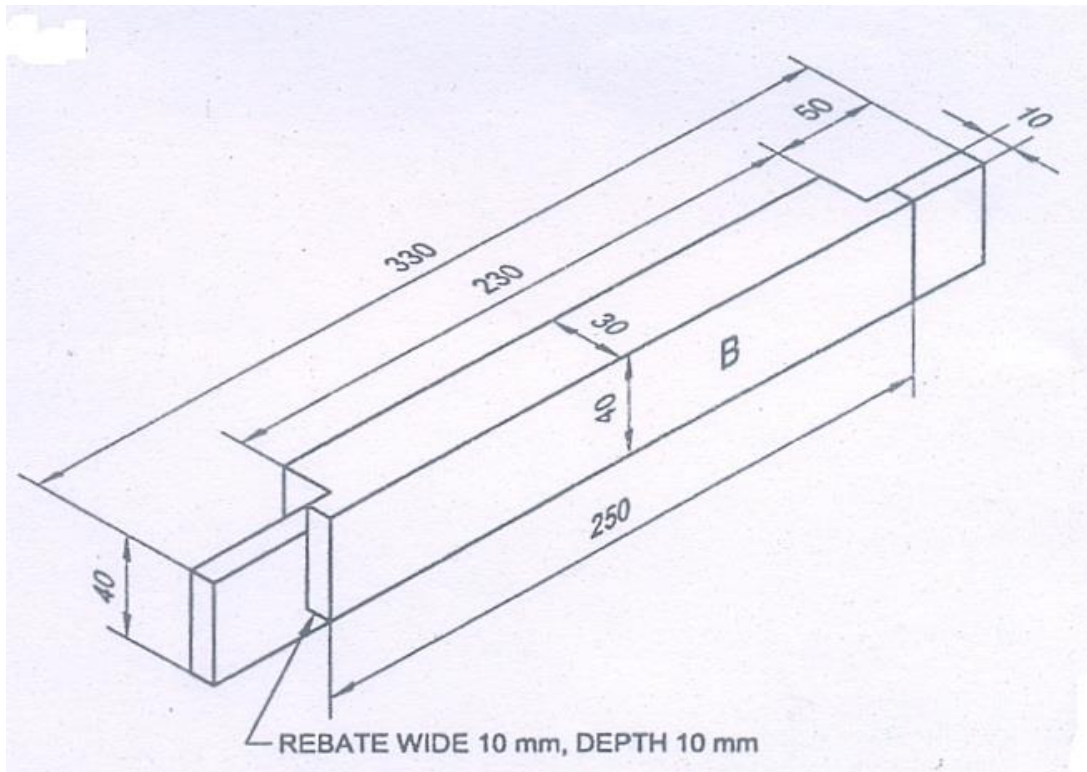
NYPUNYAM
SKILLS FOR TOMORROW

SKILL FIESTA 2016



KASE

KERALA ACADEMY FOR SKILLS EXCELLENCE
Skill Development Mission of Government of Kerala



All dimensions are in MM

Accuracy : ± 1 mm



NYPUNYAM
SKILLS FOR TOMORROW

SKILL FIESTA 2016



KASE
KERALA ACADEMY FOR SKILLS EXCELLENCE

Skill Development Mission of Government of Kerala

REQUIREMENTS

SL NO	TOOLS	SPECIFICATION	QUANTITY PER CANDIDATE
1	PENCIL	B GRADE	1
2	SCRIBER	STEEL SCRIBER 150 MM	1
3	MARKING GAUGE	WOODEN TYPE (GENERAL PURPOSE)	1
4	TRY SQUARE	12 INCH BLADE	1
5	METAL JACK PLANE	STOCK LENGTH 350MM, 50 MM CUTTER	1
6	TENON SAW	300MM BLADE LENGTH, CLOSED HANDLE TYPE	1
7	FRIMER CHISEL	WIDTH OF BLADE - 20 ,25, 35mm	1 EACH
8	STEEL TAPE	3 MTR LONG	1
9	MALLET	GENERAL PURPOSE(WOODEN)	1
10	CLAW HAMMER MEDIUM SIZE	500 GMS	1
11	MORTISE CHISEL	6, 8 , 10 MM	1 EACH
12	MORTISE GAUGE	WOODEN TYPE (GENERAL PURPOSE)	1
13	WORK BENCH WITH CARPENTER'S VICE	JAW WIDTH 6 INCH	1
14	MITER SQUARE	150 MM BLADE	1
15	G CLAMP	300 MM	1
16	BENCH STOP	FITTED IN THE WORK BENCH	
17	IRON SMOOTHING PLANE	300 MM, 25 MM CUTTING WIDTH	1
18	HAND SAW	450 MM BLADE LENGTH	1
19	PARING CHISEL	8 ,10 MM SIZE	1 EACH
20	OIL STONE	CARBORUNDUM UNIVERSAL, 200X50X25MM	1
21	BALL PEEN HAMMER	250 GMS	1
22	SASH CLAMP	4 FEET LENGTH	1
23	PROTABLE DRILLING MACHINE	MAX CAPACITY 12 MM	sharing
24	HAND PLANIER	WITH STANDRED BLADE WIDTH	1
25	DRILL BIT	6 MM DIA	sharing
26	SCREW DRIVER	150 MM LENGTH FLAT TYPE	1

TECHNICAL DETAILS IF ANY

The individual shall be able to:

- Accurately interpret views and projections; orthographic, auxiliary and isometric projections, 3D views and sectional details
- Determine from drawings how parts intersect and are joined together
- Identify drawing errors or items that require clarification
- Determine and check quantities of materials required to build specified projects



NYPUNYAM
SKILLS FOR TOMORROW

SKILL FIESTA 2016

INSTRUCTIONS TO THE COMPETITOR



- Keep the workshop tidy
- Treat chemical waste with care
- Consider fire risk
- Observe electrical safety
- At the end of the day all saw dust is to be cleaned and dropped in bins for proper disposal.
- Candidates are to appear in formal working dresses. E.g. Bermuda, shorts etc. are forbidden
- Candidates will conduct themselves in a graceful and dignified manner through the entire duration of competition.
- Any (individual or collective) attempt to disturb/ intimidate/obstruct another candidate will lead to dismissal/ removal from competition.
- No communication/recording devices are allowed inside the arena.
- No communication with outside world during competition hours.

MARKING SCHEME (OUT OF 100)

- A. OBJECTIVE MARKS:- 80
- B. SUBJECTIVE MARKS:- 20



NYPUNYAM
SKILLS FOR TOMORROW

SKILL FIESTA 2016



KASE

KERALA ACADEMY FOR SKILLS EXCELLENCE

Skill Development Mission of Government of Kerala

CARPENTRY

	Criteria	Mark
A	Interior Joints	10.00
B	Dimensions	40.00
C	Exterior Joints	25.00
D	Neatness of finish, cleanness	10.00
E	Deductions	5.00
F	completion on time	10.00