



NYPUNYAM
SKILLS FOR TOMORROW

SKILL FIESTA 2016



KASE

KERALA ACADEMY FOR SKILLS EXCELLENCE

Skill Development Mission of Government of Kerala



NYPUNYAM

SKILLS FOR TOMORROW

February 5-7 | **2016**, Thiruvananthapuram, Kerala

ZONAL CHAMPIONSHIP 4-11 January 2016



NYPUNYAM
SKILLS FOR TOMORROW

SKILL FIESTA 2016



KASE

KERALA ACADEMY FOR SKILLS EXCELLENCE

Skill Development Mission of Government of Kerala

Trade : Fitter

Submitted by : NTTF
Members : Anil kumar S.V, Suresh kumar T, Amstrong,
James, Sudheer, sunil kumar P P, Krishnan
nambothiri, Pramod kumar, Muhammed Ali.

Zonal Location :trivandrum, cochin ,calicut
Validated by :

Time duration of the test: 6Hrs



NYPUNYAM
SKILLS FOR TOMORROW

SKILL FIESTA 2016



KASE

KERALA ACADEMY FOR SKILLS EXCELLENCE

Skill Development Mission of Government of Kerala

TEST PROJECT DOCUMENTATION

BRIEF ABOUT THE PROJECT

Project Brief :

The task is to make a fit as per the drawing from M. S flat in 6 hrs with in the tolerance limit and finish.

Final Outcome expected from the candidate:

The candidates are expected to make the test project on time with the accurate dimensions and finishing as specified in test project.

DESCRIPTION OF PROJECT / TASKS

Candidates have to perform the operation required and make the fit most accurately.

MATERIALS

- M S flat 61 X 46 X 9.5 -2 Nos



NYPUNYAM
SKILLS FOR TOMORROW

SKILL FIESTA 2016

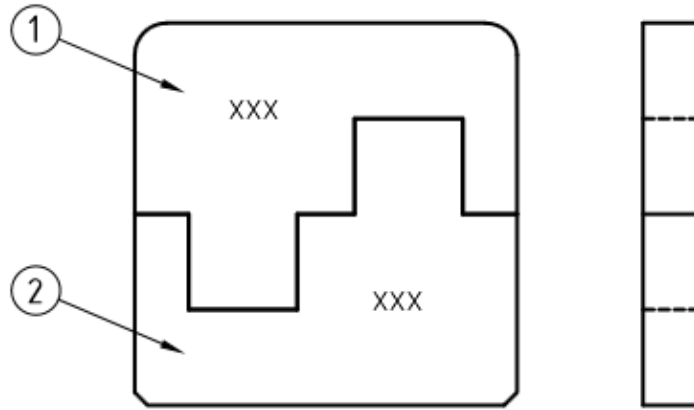
DIAGRAM 1



KASE
KERALA ACADEMY FOR SKILLS EXCELLENCE

Skill Development Mission of Government of Kerala

ASSEMBLY DRAWING



Time: 6hrs

Work Schedule:0.5h

Note:

XXX Number punching

- * Provide chamfers on all edges not more than 0.5mm
- * The fit should be a sliding fit in assembly and individually
- * In assembly the fitting surfaces of pos 1 and pos 2 should match maximum clearance between the matching surfaces 0.05mm.

General Tolerance

0 = ± 0.2

0.0 = ± 0.1

0.00 = ± 0.05

Time : 6 Hrs

All dimensions are in MM



NYPUNYAM
SKILLS FOR TOMORROW

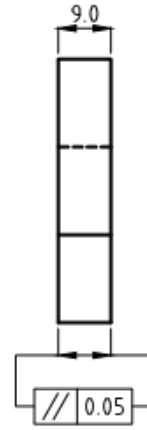
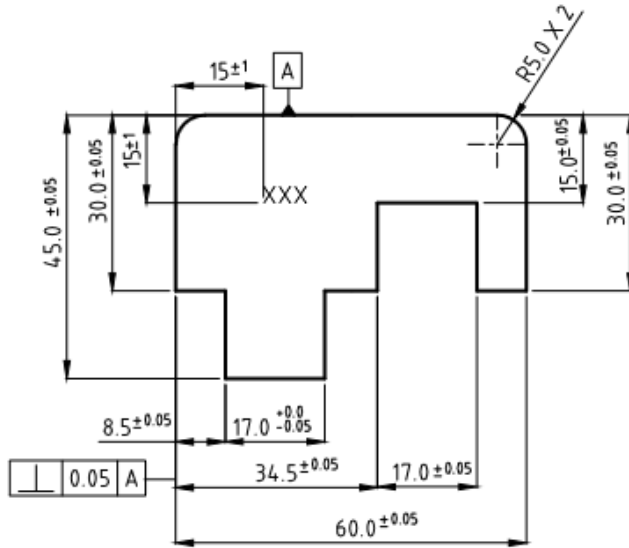
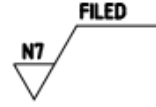
SKILL FIESTA 2016



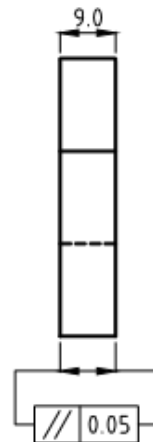
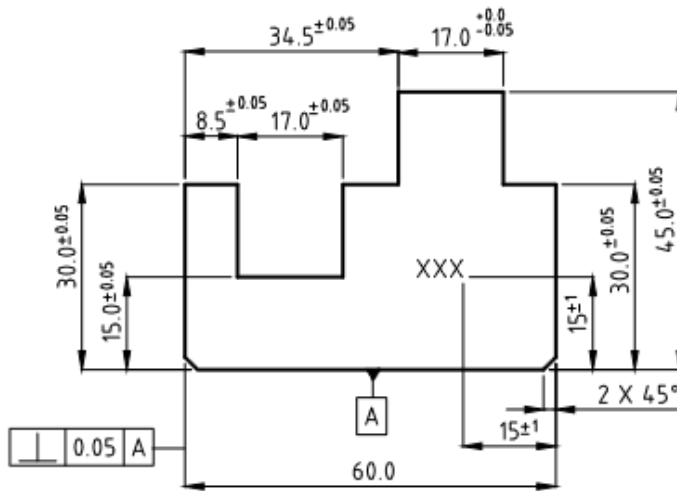
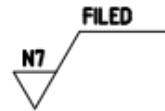
KASE
KERALA ACADEMY FOR SKILLS EXCELLENCE

Skill Development Mission of Government of Kerala

POSITION NO 1



POSITION NO 2





NYPUNYAM
SKILLS FOR TOMORROW

SKILL FIESTA 2016



KASE
KERALA ACADEMY FOR SKILLS EXCELLENCE

Skill Development Mission of Government of Kerala

REQUIREMENTS

SL NO	TOOLS	SPECIFICATION	QUANTITY PER CANDIDATE
1	Files	10" Flat Bastard File, 8" Flat Second Cut File, 6" Flat Second Cut File, 6" Triangular Second Cut File, 8" Square Safe Edge Second Cut File	One for Each candidate
2	Micrometer	0-25mm, 25-50mm	5 No. s for 20 trainees
3	Vernier Caliper	0-150mm	5 No. s for 20 trainees
4	Tri-square	Bevel Type- 50mm	5No.s for 20 trainees
5	Straight Edge	Bevel Type (60mm)	5No.s for 20 trainees
6	Scriber		5No.s for 20 trainees
7	Vernier Height Gauge	300mm	4 No. s for 20 trainees
8	Radius Gauge	R(1-7)mm	03 No. s for 20 trainees
9	Hammer	250gm	05 No. s for 20 trainees
10	Prick Punch	For marking	05 No. for 20 trainees
11	Number & Letter Punch	3 mm	03 No. s each for 20 trainees
12	Hacksaw Frame	std	20 No. s
13	Hacksaw Blade	HSS Blade	As per requirement
14	Surface Plate with stand		Minimum 2 Required
15	Cotton Waste		2kg
16	Lubricating Oil		1 Itr
17	Slip gauge set	For evaluation purpose	1 set
18	Work table	Wooden or Steel with vice	To accommodate 20 trainees at a time
19	Bench Vice	5"	One for each trainee
20	Soft jaw for vice	For fixing the job in bench vice	20 sets
21	Steel Rule	300mm	One for Each candidate
22	Angle Plate		04 No.s for 20 trainees
23	Suitable Marking Medium		



NYPUNYAM
SKILLS FOR TOMORROW

SKILL FIESTA 2016

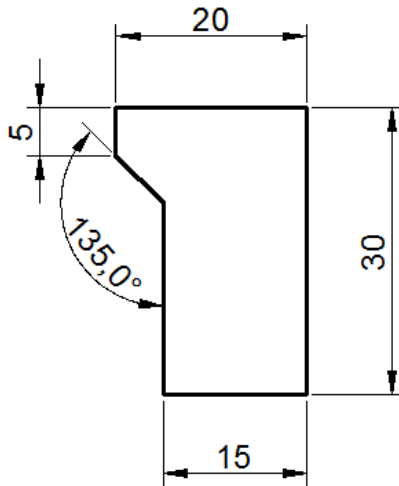
*Note: Part 1 and part 2 to be kept ready after pre-machining to size 61 X 46 X 9.5 mm before giving to the candidates

Angle gauge for checking chamfer to be manufactured.

Four nos as per the drawing given below.

Sheet thickness = 2mm

Material = MS



TECHNICAL DETAILS IF ANY

- Determine from drawings how parts are joined together
- Identify drawing errors or items that require clarification
- Determine and check quantities of materials required to build specified projects

INSTRUCTIONS TO THE COMPETITOR

- Keep the workshop tidy
- Treat chemical waste with care
- Consider fire risk
- Observe electrical safety



NYPUNYAM
SKILLS FOR TOMORROW

SKILL FIESTA 2016



- Candidates are to appear in formal working dresses. E.g. Bermuda, shorts etc. are forbidden.
- At the end of the day all metal chips is to be cleaned and dropped in bins for proper disposal.
- Candidates will conduct themselves in a graceful and dignified manner through the entire duration of competition.
- Any (individual or collective) attempt to disturb/ intimidate/obstruct another candidate will lead to dismissal/ removal from competition.
- No communication/recording devices are allowed inside the arena.
- No communication with outside world during competition hours.

MARKING SCHEME (OUT OF 100)

A. **OBJECTIVE MARKS:-** 58

B. **SUBJECTIVE MARKS:-** 42



NYPUNYAM
SKILLS FOR TOMORROW

SKILL FIESTA 2016



KASE

KERALA ACADEMY FOR SKILLS EXCELLENCE

Skill Development Mission of Government of Kerala